

# EES-K512 Pearl 512 Round Bollard



**ENVIROLUX**  
ENERGY SYSTEMS

Project Name:	<b>Project Information</b>	Fixture Type:
Complete Catalog #:		Date:
Comments:		



**SPECIFICATIONS AND FEATURES:**

**LED**

- Conformal Coating LED light engine
- CCT: Standard-3000K, 4000K, & 5000K
- 2700K, Amber, LPS (1800K) Offered for Some Wattages - Consult Factory
- Static Colors Available - Contact Factory

**DISTRIBUTION**

- Types II, III, IV, V

**ELECTRICAL**

- Electronic Driver, 120-277V, 50/60Hz or 347/480V, 50/60Hz
- 0-10v Dimmable Driver
- Standard Surge Protection Included (6kV Line-Line; 10k-V Line-Earth)

**CONTROLS (OPTIONAL)**

- Button Eye Photo Control (PC)
- House Side Shield (H)

**HOUSING**

- Decorative Cast Aluminum Base with Lantern Top

**FINISH**

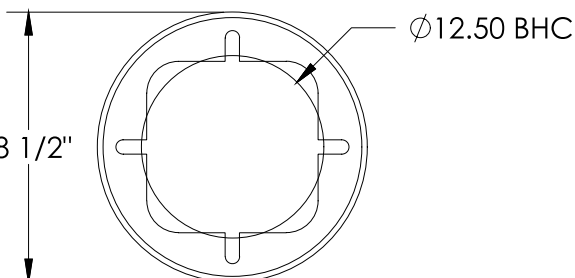
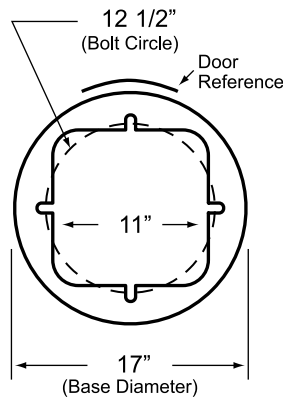
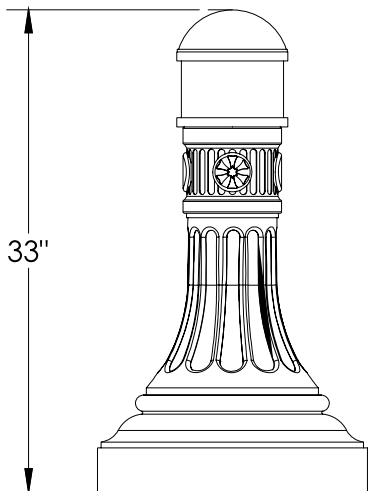
- Super Durable Polyester Powder Coat Finish. Custom Finishes Available, Including Patinas and All RAL Colors.

**LISTINGS & RATINGS**

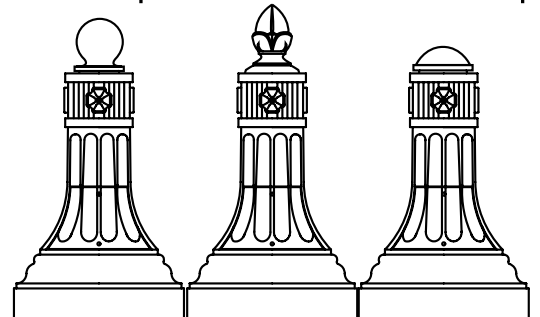
- ETL Listed to UL 1598 Standard for Wet Location and IP66.
- LED is IP66 Rate

**WARRANTY**

- 5 Year Limited Warranty



Alternate Configurations  
Ball Top Acorn Finial Dome Top



Non-Illuminated Bollard

# EES-K512 Pearl 512 Round Bollard



Complete Units Ordering Information Example:  
**EES-K512LTWA203KU5PCBK**

## EES-K512 Pearl 512 Round Bollard

EES-K512								
Model	Style	Globe/Lens	Wattage	CCT	Voltage	Optics	Options	Finish
<b>EES-K512</b> =Pearl 512 Round Bollard	<b>NI</b> =Non-Illuminated <b>LT</b> =Lantern Top	<b>WA</b> =White/Opal Acrylic <b>FA</b> =Frosted Acrylic	<b>10</b> =10w <b>15</b> =15w <b>20</b> =20w <b>30</b> =30w	<b>3K</b> =3000K <b>4K</b> =4000K <b>5K</b> =5000K	<b>U</b> =120-277V <b>H</b> =347/480V	<b>2</b> =Type II <b>3</b> =Type III <b>4</b> =Type IV <b>5</b> =Type V	<b>N</b> =None <b>PC</b> =Button Eye Photo Control <b>H</b> =House Side Shield <b>USB</b> =Dual USB Port* <b>GFIC</b> =GFI In-Use Cover, Cast Aluminum* <b>GFIP</b> =GFI In-Use Cover, Plastic* <b>EB</b> =Eyebolt Mounted on Bollard* <b>BT</b> =Ball Top♦ <b>DT</b> =Dome Top♦ <b>AF</b> =Acorn Finial♦	<b>STANDARD FINISHES</b> <b>BK</b> =Black <b>BZ</b> =Bronze <b>DBZ</b> =Dark Bronze <b>WH</b> =White <b>GR</b> =Green <b>SM</b> =Silver Metallic <b>GY</b> =Light Gray <b>TBK</b> =Textured Black* <b>CC</b> =Custom Color (Consult Factory)

\*Indicate Location  
 ♦Available in Non-Illuminated (NI) Version Only

\*Matches DuraGuard B-Black Finish

### PHOTOMETRIC DATA



**6" LED**

Lumen Output for Appalachia 512 Bollard					
Wattage (Catalog Logic)		10 Watts (10W)	15 Watts (15W)	20 Watts (20W)	30 Watts (30W)
LED Size (DIA.)		6"	6"	6"	6"
Input Watts		10.2	14.6	20.4	30.6
Optic	CCT	Delivered Lumens			
<b>2 = Type II Clear or Frosted</b>	<b>3K</b>	1,344	1,763	2,352	3,527
	<b>4K</b>	1,371	1,800	2,400	3,600
	<b>5K</b>	1,392	1,828	2,437	3,655
	<b>BUG Rating</b>	B0-U2-G1	B1-U2-G1	B1-U2-G1	B1-U2-G1
<b>3 = Type III Clear or Frosted</b>	<b>3K</b>	1,342	1,760	2,348	3,521
	<b>4K</b>	1,369	1,797	2,396	3,595
	<b>5K</b>	1,390	1,825	2,433	3,649
	<b>BUG Rating</b>	B1-U2-G1	B1-U2-G1	B1-U2-G1	B1-U2-G1
<b>4 = Type IV Clear or Frosted</b>	<b>3K</b>	1,312	1,721	2,296	3,443
	<b>4K</b>	1,339	1,758	2,343	3,515
	<b>5K</b>	1,359	1,784	2,379	3,569
	<b>BUG Rating</b>	B1-U2-G1	B1-U2-G1	B1-U2-G1	B1-U2-G1
<b>5 = Type V Clear or Frosted</b>	<b>3K</b>	1,373	1,801	2,402	3,603
	<b>4K</b>	1,401	1,839	2,452	3,678
	<b>5K</b>	1,423	1,867	2,489	3,734
	<b>BUG Rating</b>	B1-U2-G1	B1-U2-G1	B2-U2-G1	B2-U2-G1
<b>5 = Type V with White Opal Lens</b>	<b>3K</b>	964	1,446	1,928	2,893
	<b>4K</b>	984	1,477	1,969	2,953
	<b>5K</b>	999	1,499	1,998	2,998
	<b>BUG Rating</b>	B1-U3-G1	B1-U3-G1	B1-U3-G2	B1-U4-G2

Please refer to the fixture's IES file for detailed information. Subject to change.