

EnviroLux Economy LED Medium Wallpack - Full Cutoff



Project Name:	Project Information	Fixture Type:
Complete Catalog #:		Date:
Comments:		

The EnviroLux EES-MWPCOQ Economy full cutoff wall pack luminaire is available with a choice of optical distributions designed to replace HID lighting systems 175w to 400w MH or HPS. Typical wall mounted lighting applications include retail centers, industrial parks, schools and universities, public transit and airports, office buildings and medical facilities. Mounting heights of 12 to 18 feet can be used based on light level and uniformity requirements.

SPECIFICATIONS AND FEATURES:

HOUSING:

Die Cast Hinged and Gasketed Aluminum Front Frame and Housing with 1/2" Coin Plugs. Nickel-Plated Stainless Steel Hardware. Photocell Adaptable.

LISTING & RATINGS:

CSA: Listed for Wet Locations, ANSI/UL 1598, 8750 IP65 Sealed LED Compartment.

FINISH:

Textured Architectural Bronze Powdercoat Finish Over a Chromate Conversion Coating. Custom Colors Available Upon Request.

LENS:

Tempered Clear Flat Glass Lens or Tempered Clear Flat Prismatic Glass Lens.

MOUNTING OPTIONS:

Cast-in Template for Mounting Directly Over a 4" Recessed Outlet Box, or Use 1/2" Surface Conduit.

EnviroLux LED:

Aluminum Metal Core Boards

WATTAGE:

25w Array: 24.78w, System: 27.1w; (175w HID Equivalent)
 37w Array: 37.2w, System: 40.6; (250w HID Equivalent)
 50w Array: 50w, System: 54.2w; (400w HID Equivalent)



DRIVER:

Electronic Driver, 120-277V, 50/60Hz; Less Than 20% THD and PF>0.90. Standard Internal Surge Protection 6kV. 0-10V Dimming Standard for a Dimming Range of 100% to 10%; Dimming Source Current is 150 Microamps.

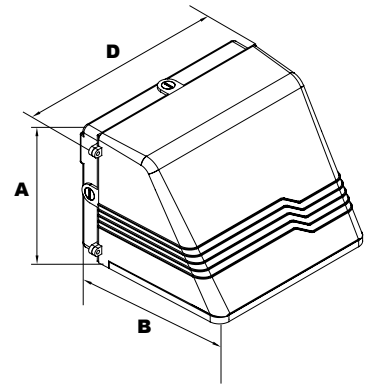
CONTROLS:

Fixtures Ordered with Factory-Installed Photocell or Motion Sensor Controls are Internally Wired for Switching and/or 1-10V Dimming Within the Housing. Remote Direct Wired Interface of 1-10V Dimming is Not Implied and May Not Be Available. Please Consult Factory. Fixtures are Tested with EnviroLux Controls and May Not Function Properly With Controls Supplied By Others. Fixtures are NOT Designed for Use with Line Voltage Dimmers.

WARRANTY:

5-Year Warranty for -40°C to +40°C Environment.

See Page 2 for Projected Lumen Maintenance Table.



Dimensions

Width (D)	14 1/4" (362mm)
Length (B)	11 1/8" (289mm)
Height (A)	9 1/8" (232mm)

Complete Units
 Ordering Information
 Example:
 EESMWPCOQF1X37U5KCZSP

EnviroLux Economy LED Medium Wallpack - Full Cutoff

Model	Optics	Wattage	Driver	CCT	Lens	Color	Options
EESMWPCOQ=	C=Type III F=Type V	1X25=25w 1X37=37w 1X50=50w	U=120-277V	4K=4000K 5K=5000K		Z=Bronze C=Custom (Consult Factory)	

C=Clear Flat Glass Lens,
 P=Clear Flat Prismatic Glass Lens*
 *Use with F Optic Only.

SF=Single Fuse*
 DF=Double Fuse*
 SP=Surge Protection
 PC3=Photocell, 120-277VAC
 S2=Microwave Sensor with Dimming for Mounting Heights of 8' to 40'.*
 S4=Microwave On/Off Motion Sensor for Mounting Heights of 8' to 19'.*
 BU=Battery Backup, 90 Minutes*

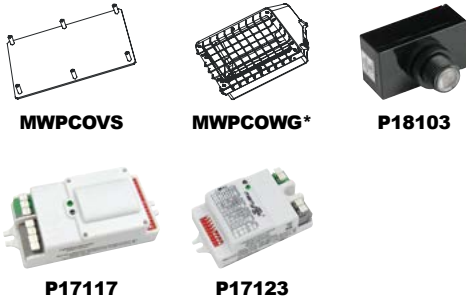
*120-277V Models Only.



EnviroLux Economy LED Medium Wallpack - Full Cutoff



ACCESSORIES & REPLACEMENT PARTS:



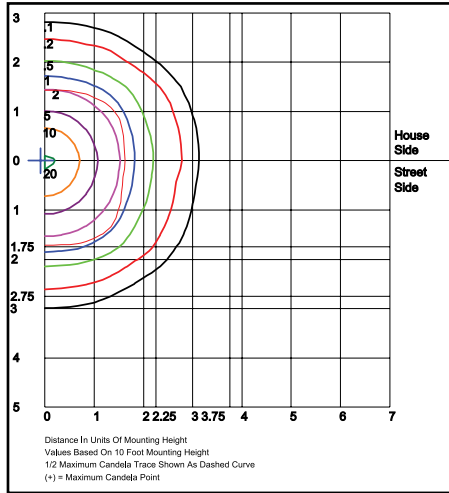
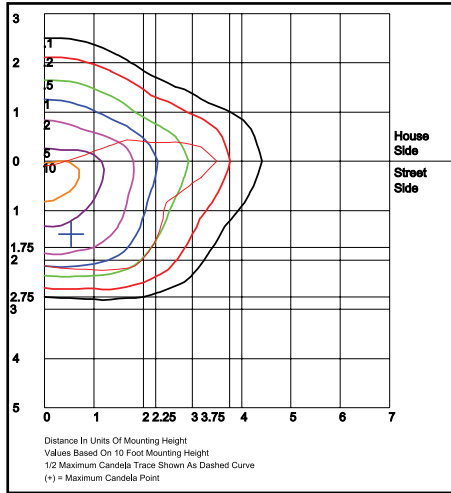
Accessories (Order Separately, Field Installed)	
MWPCOVS	Clear UV-Stabilized Polycarbonate Vandal Resistant Guard, Includes Hardware.
MWPCOWG	Wire Guard, Stainless Steel Construction, Includes Hardware.

Replacement Parts (Order Separately, Field Installed)	
MWPCOGL	Tempered Clear Flat Glass Lens.
MWPCOGLP	Tempered Prismatic Flat Glass Lens.
P18103	120-277VAC Photocell
P17117	Internal Microwave Sensor with Dimming for Mounting Heights of 8 to 40'. 120-277VAC, 50/60Hz
P17123	Internally Mounted Microwave On/Off Motion Sensor for Mounting Heights of 8' to 19', 120-277VAC, 50/60Hz

For Replacement Battery Backup, see the DuraGuard LED Battery Backup Specification Sheet.

*Shown mounted.

PHOTOMETRIC DATA



EES-MWPCOQC1X50U5KC
Type III
Grid in MH
MH=10 Feet

EES-MWPCOQF1X50U5KC
Type V
Grid in MH
MH=10 Feet

PHOTOMETRIC PERFORMANCE

Optic	Wattage (Catalog Logic)	25W	37W	50W
		(1X25)	(1X37)	(1X50)
Input Watts		27.1W	40.6W	54.2W
CCT		Delivered Lumens		
C = Type III	4000K	3,837	5,105	6,873
	5000K	3,851	5,276	6,974
	BUG Rating	B1-U2-G1	B1-U2-G1	B1-U2-G1
F = Type V	4000K	3,867	5,301	6,935
	5000K	3,987	5,480	7,101
	BUG Rating	B1-U2-G0	B2-U2-G0	B2-U2-G0

PROJECTED LUMEN MAINTENANCE

Data shown for 5000 CCT		Compare to MH				
TM-21-11	Input Watts	Initial	25,000 Hrs	50,000 Hrs	100,000 Hrs	Calculated LED Life
L70 Lumen Maintenance @ 25°C / 77°F	All wattages up to and including 54w	1.00	0.96	0.93	0.86	213,000
L70 Lumen Maintenance @ 50°C / 122°F		1.00	0.93	0.87	0.73	91,000
L80 Lumen Maintenance @ 40°C / 104°F		1.00	0.95	0.89	0.78	113,000

NOTES:

- Projected per IESNA TM-21-11. Data references the extrapolated performance projections for the 525mA base model in a 25°C ambient, based on 10,000 hours of LED testing per IESNA LM-80-08.
- Compare to MH box indicates suggested Light Loss Factor (LLF) to be used when comparing to Metal Halide (MH) systems.