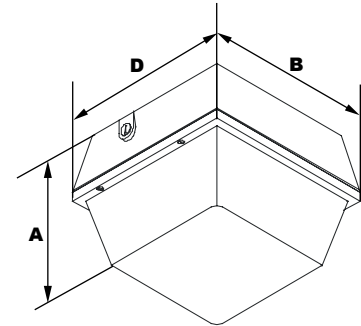


<b>Project Information</b>	
Project Name: _____	Fixture Type: _____
Complete Catalog #: _____	Date: _____
Comments: _____	



The EnviroLux 12x12 LED Canopy is designed to replace HID lighting systems from 150w to 250w. Typical area lighting applications include retail centers, industrial parks, airports, and office buildings, close to beaches where Amber environmental lighting codes apply. Mounting heights of 9 to 18 feet can be used based on light level and uniformity requirements.

**SPECIFICATIONS AND FEATURES:**

**EnviroLux LED Engine:**

114 LPW, Amber 600NM, Silicone Coated Aluminum Core Boards - Water and Humidity Proof

**HOUSING:**

Die Cast Hinged and Gasketed Aluminum Front Frame and Housing with 1/2" Coin Plugs. Nickel-Plated Stainless Steel Hardware. Photocell Adaptable.

**WATTAGE:**

\*0W=Array: 60 System Watts: Lumens - 6,840 (150-250W HID or Induction Equivalent.)

**FINISH:**

Textured Architectural Bronze Powdercoat Finish Over a Chromate Conversion Coating. Custom Colors Available Upon Request.

**DRIVER:**

Programmable Driver, 120-277V, 50/60Hz; Dimmable Driver.

**LENS:**

Tempered Clear Flat Glass Lens or Tempered Clear Flat Prismatic Glass Lens.

**LISTING & RATINGS:**

UL: Listed for Wet Locations. Operating Temperatures: -40°C to + 30°C IP67 Sealed LED Compartment.

**MOUNTING OPTIONS:**

Cast-in Template for Mounting Directly Over a 4" Recessed Outlet Box, or Use 1/2" Surface Conduit.

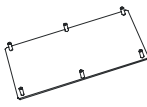

**Dimensions**

<b>Width (D)</b>	12 3/4" (314mm)
<b>Length (B)</b>	12 3/4" (314mm)
<b>Height (A)</b>	8 5/8" (219mm)

Complete Units Ordering Information Example:  
EESAMBER600NM-60W-LED-Canopy-PS-UNV

**EnviroLux LED Amber 600 NM Large Full Cutoff Wallpack**

EES-60W

Model	Part Suffix	Driver	Wattage	CCT	Lens	Mounting	Options
EES	AMBER600NM-60W-LED-Canopy-PS-UNV	U=120-277V	60W	AMBER 600NM			
	 LWPCOV5  LWPCOWG						WG=Wire Guard  Direct Junction Box
<b>Accessories (Order separately, Field installed)</b>							
LWPCOV5	Clear Polycarbonate Vandal Resistant Guard, Includes Hardware.						
LWPCOWG	Wire Guard, Stainless Steel Construction, Includes Hardware.						
							SF=Single Fuse DF=Double Fuse SP=Surge Protection 6kv standard, 10kv optional QDP=Quick Disconnect PC=Photo Cell

