



L70
25°C

183,000 Hours

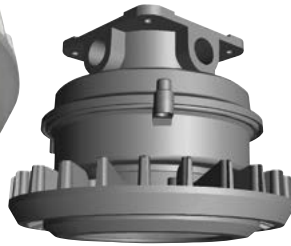
EES-HLP15Q

Hazardous Location LED Explosion Proof Luminaire

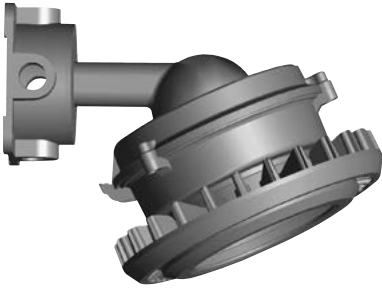
Pendant Mount



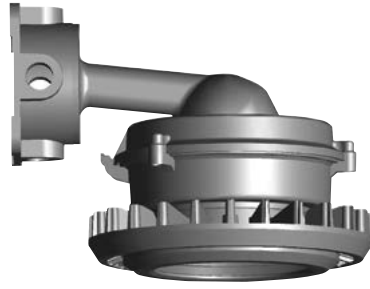
Ceiling Mount



Wall Mounts

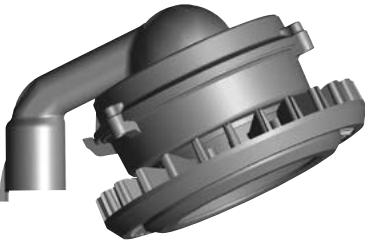


Shown with 25° Wall Mount



Shown with 90° Wall Mount

Stanchion Mounts



Shown with 25° Stanchion Mount



Shown with 90° Stanchion Mount

The EnviroLux EES-HLP15Q Class 1, Division 2 Explosion Proof Hazardous Location Luminaire is available with a clear tempered glass lens. Typical lighting applications include industrial facilities, oil, gas, painting facilities, manufacturing, and auto service facilities.

Specifications and Features:

Housing:

Heavy-Duty Die Cast Aluminum Housing

Listing & Ratings:

ETL Listed for Hazardous Locations Per UL844 as Follows:
Class 1, Division 2 Groups A, B, C, D; T4 Temperature Rating, -25°C to +50°C Ambient.
Suitable for Wet Locations, Sealed LED Compartment

Finish:

Powdercoat Finish Over a Chromate Conversion Coating.

Lens:

Clear Tempered Glass Lens

Mounting Options:

Mountings Include Pendant (Conduit by Others), Ceiling Mount Box, 25° and 90° Wall Mount with Box, 25° and 90° Stanchions, and Adjustable Yoke. Yoke Mount Includes 3' 16/3 SJOOW Cord and Rated Connector. Rated for 6 #12 AWG 90°C for Through Wiring. Mounts Shipped Separately, Field Installed.

LED:

Aluminum Metal Core Boards

Wattage:

Array: 56.7w, System: 64w

Driver:

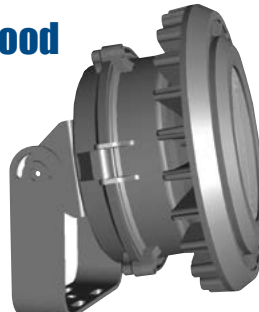
Electronic Driver, 120-277V, 50/60Hz; Less Than 20% THD and PF>0.90. Standard Internal Surge Protection 6kV. 0-10V Dimming Standard for a Dimming Range of 100% to 10%; Dimming Source Current is 150 Microamps.

Warranty:

7-Year Warranty

See Page 4 for Projected Lumen Maintenance Table.

Flood



Shown with 25° Adjustable Yoke

Project Information:

Project Name: _____	Fixture Type: _____
Complete Catalog #: _____	Date: _____
Comments: _____	

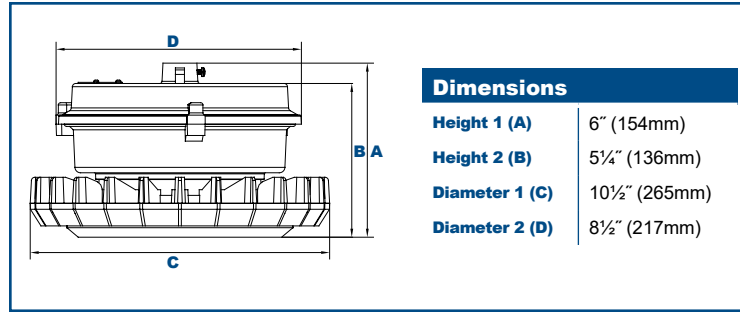
Certification & Listings:



**Class 1, Division 2
Groups A, B, C, D
T4 Temperature Rating**



Pendant Mount



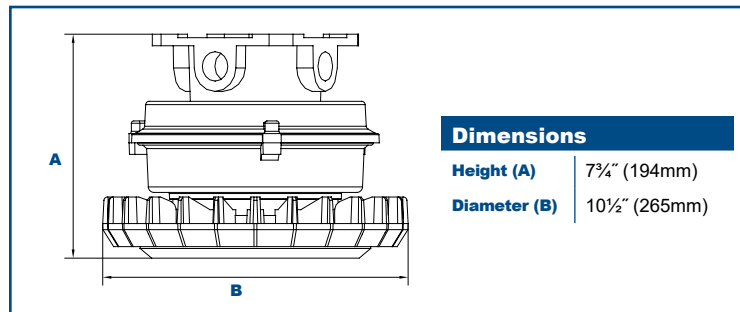
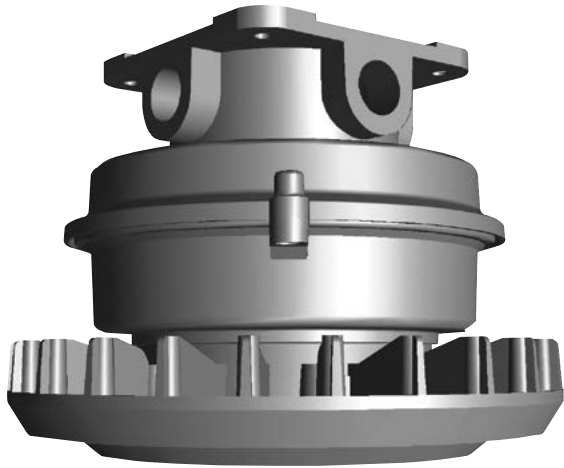
½" Pendant Hub

Order Information Example:

EESHLP15QF57U5KCGPSP

EESHLP15Q	F	57	U	5K	C	G	P	
Model	Optics	Wattage	Driver	CCT	Lens	Color	Mount	Options
EESHLP15Q= LED Hazardous Location Explosion Proof Luminaire	F=Wide	57=57w	U=120-277V	5K=5000K	C=Clear Tempered Glass Lens	G=Gray	P=Pendant Mount (Conduit by Others)	SP=Surge Protection

Ceiling Mount



¾" Entrance Plugs

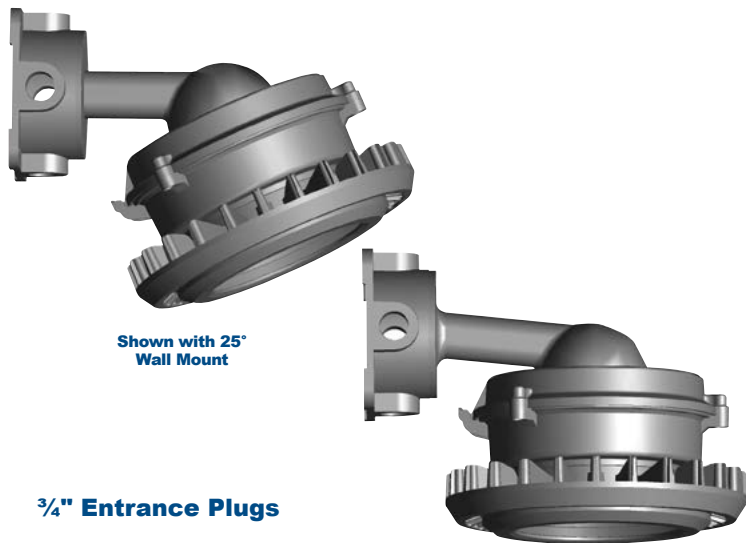
Order Information Example:

EES-HLP15QF57U5KCGCMSP

EESHLP15Q	F	57	U	5K	C	G	CM	
Model	Optics	Wattage	Driver	CCT	Lens	Color	Mount	Options
EES-HLP15Q= LED Hazardous Location Explosion Proof Luminaire	F=Wide	57=57w	U=120-277V	5K=5000K	C=Clear Tempered Glass Lens	G=Gray	CM=Ceiling Mount	SP=Surge Protection

Hazardous Location LED Explosion Proof Luminaire

Wall Mounts

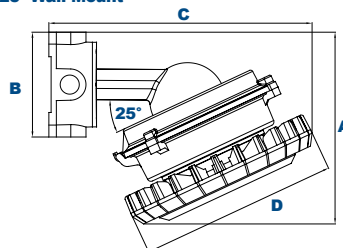


Shown with 25°
Wall Mount

Shown with 90°
Wall Mount

3/4" Entrance Plugs

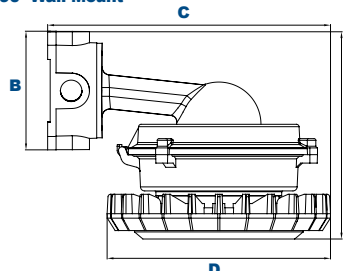
25° Wall Mount



Dimensions

Height 1 (A)	10" (256mm)
Height 2 (B)	5 1/2" (140mm)
Length (C)	13 3/4" (352mm)
Width (D)	10 1/2" (265mm)

90° Wall Mount



Dimensions

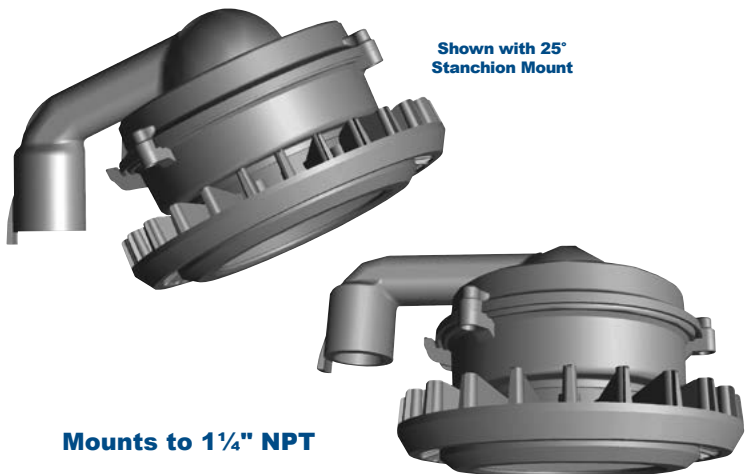
Height 1 (A)	9 3/4" (246mm)
Height 2 (B)	5 1/2" (140mm)
Length (C)	13 3/4" (336mm)
Width (D)	10 1/2" (265mm)

Order Information Example:

EESHLP15QF57U5KCGW25SP

EESHLP15Q	F	57	U	5K	C	G		
Model	Optics	Wattage	Driver	CCT	Lens	Color	Mount	Options
EESHLP15Q= LED Hazardous Location Explosion Proof Luminaire	F=Wide	57=57w	U=120-277V	5K=5000K	C=Clear Tempered Glass Lens	G=Gray	W25=25° Wall Mount W90=90° Wall Mount	SP=Surge Protection

Stanchion Mounts

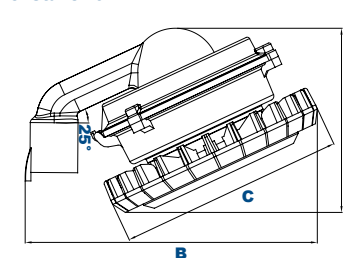


Shown with 25°
Stanchion Mount

Shown with 90°
Stanchion Mount

Mounts to 1 1/4" NPT

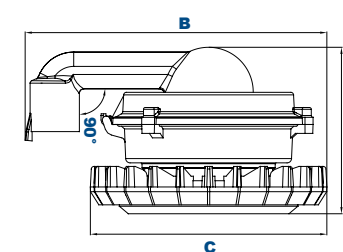
25° Stanchion



Dimensions

Height 1 (A)	8 1/2" (216mm)
Length (B)	13 3/4" (343mm)
Width (C)	10 1/2" (265mm)

90° Stanchion



Dimensions

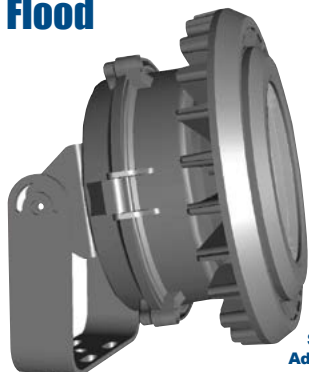
Height 1 (A)	7 1/4" (186mm)
Length (B)	13 3/4" (338mm)
Width (C)	10 1/2" (265mm)

Order Information Example:

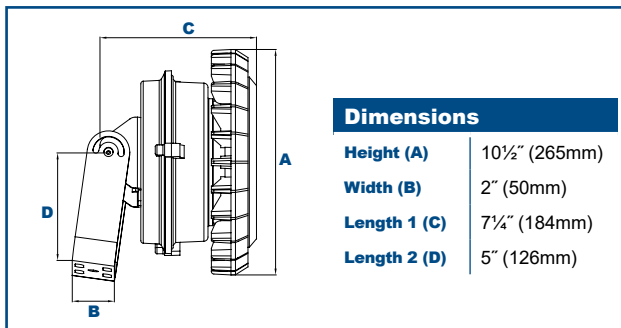
EESHLP15QF57U5KCGS25SP

EESHLP15Q	F	57	U	5K	C	G		
Model	Optics	Wattage	Driver	CCT	Lens	Color	Mount	Options
EESHLP15Q= LED Hazardous Location Explosion Proof Luminaire	F=Wide	57=57w	U=120-277V	5K=5000K	C=Clear Tempered Glass Lens	G=Gray	S25=25° Stanchion S90=90° Stanchion	SP=Surge Protection

Flood



Shown with Adjustable Yoke

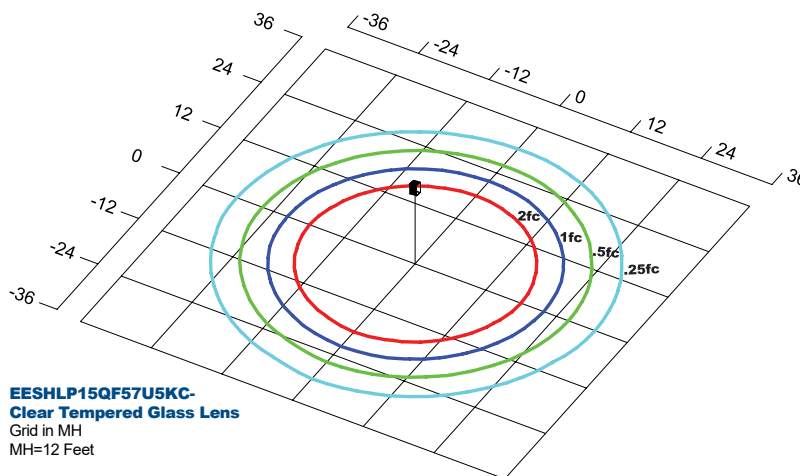
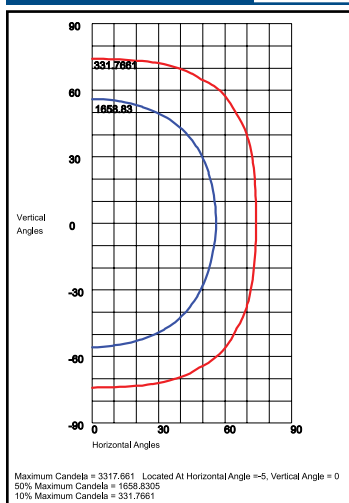


Order Information Example:

EESHLP15QF57U5KGYSP

EESHLP15Q	F	57	U	5K	C	G	Y	
Model	Optics	Wattage	Driver	CCT	Lens	Color	Mount	Options
EESHLP15Q= LED Hazardous Location Explosion Proof Luminaire	F=Wide	57=57w	U=120-277V	5K=5000K	C=Clear Tempered Glass Lens	G=Gray	Y=Adjustable Yoke	SP=Surge Protection

Photometric Data



EESHLP15QF57U5KC- Clear Tempered Glass Lens

Photometric Performance

LED Board Watts	Drive Current (mA)	Input Watts	Optics	5000 CCT 80 CRI	
				Lumens	LPW
LED 57w (Clear Lens)	175	64	F 110°H x 110°V, NEMA 7H x 7V	10,944	192

Projected Lumen Maintenance

Data shown for 5000 CCT			Compare to MH			
TM-21-11	Input Watts	Initial	25,000 Hrs	50,000 Hrs	100,000 Hrs	Calculated L70@ 25°C
L70 Lumen Maintenance @ 25°C / 77°F	64	1.00	0.96	0.92	0.84	183,000
TM-21-11	Input Watts	Initial	25,000 Hrs	50,000 Hrs	100,000 Hrs	Calculated L80@ 40°C
L80 Lumen Maintenance @ 50°C / 104°F	64	1.00	0.93	0.86	0.71	105,000
TM-21-11	Input Watts	Initial	25,000 Hrs	50,000 Hrs	100,000 Hrs	Calculated L80@ 40°C
L80 Lumen Maintenance @ 40°C / 104°F	64	1.00	0.94	0.88	0.75	81,000

NOTES:

- Projected per IESNA TM-21-11. Data references the extrapolated performance projections for the 175mA base model in a 25°C ambient, based on 10,000 hours of LED testing per IESNA LM-80-08.
- Compare to MH box indicates suggested Light Loss Factor (LLF) to be used when comparing to Metal Halide (MH) systems.