

Project Information	
Project Name:	Fixture Type:
Complete Catalog #:	Date:
Comments:	



The EnviroLux 30 Watt LED Parking Garage fixture is designed to replace HID lighting systems from 70w to 200w. Typical area lighting applications include parking garages, canopy areas, shopping malls, terminals, public buildings convenience stores, and retail centers. Mounting heights of up to 18 feet can be used based on light level and uniformity requirements.

SPECIFICATIONS AND FEATURES:

HOUSING:
Die Cast Aluminum Housing, 1/2" Coin Plugs with O-rings for Conduit & Photocell on Sides & Back.

FINISH:
Textured Architectural Powdercoat Finish Over a Chromate Conversion Coating.

LENS:
Standard Clear Polycarbonate Prismatic Lens

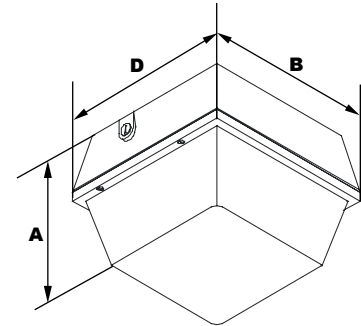
MOUNTING OPTIONS:
Built-in Template for Mounting to an Electrical Box, or Use 1/2" Surface Conduit, Downrod, or Quick-Mount Bracket.

EnviroLux LED Engine:
201 LPW, > 80CRI, Silicone Coated Aluminum Core Boards - Water and Humidity Proof

WATTAGE:
30W=Array: 30 System Watts: **Lumens:5,427**
(250-400W HID or Induction Equivalent.)

DRIVER:
Programmable Driver, 120-277V, 50/60Hz; Dimmable Driver.

Listing and RATINGS:
CSA Listed. Operating in Ambient Temperatures: -40°C to + 50°C IP67 Sealed LED Compartment.



Dimensions

Width (D)	12 3/8" (314mm)
Length (B)	12 3/8" (314mm)
Height (A)	8 5/8" (219mm)

Complete Units Ordering Information Example:
EESVN43-LED-PS-UNV-30W-XXXX

EnviroLux 30 Watt 12x12 LED Parking Garage Fixture



Scan to watch our Made in USA video

Model	Part Suffix	Driver	Wattage	CCT	Lens	Mounting	Options
EES	VN43-LED-PS	UNV=120-277	30W	2700K 3000K 3500K 4000K 5000K	GL=Standard Clear Polycarbonate Prismatic Lens	QM=Hinged Quick Mount Bracket	



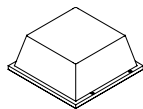
EnviroLux Unifi Mesh Passport can operate up to 500 fixtures on a wireless network from anywhere in the world.

- SF**=Single Fuse
- PC1-PC2**=120-277 Button Photo Cell
- M1**=Motion Sensor, IR for mounting heights of 20ft to 35ft
- M2**=Motion Sensor, IR for mounting heights of 18ft or less
- BB**=Battery Backup
- PC**=Photo Cell
- UNIFI**=Unifi Wireless



EnviroLux LED Parking Garage Fixture

ADDITIONAL MOUNTING OPTIONS



CPL4



QM



BB



**Button Photocell
(PC1, PC2)**

Replacement Parts (Order separately, Field installed)

CPL4	Clear Prismatic Polycarbonate Lens with Four (4) Screw Holes
QM	Hinged Quick-Mount Bracket, Stamped Steel, Mount Over Recessed Electrical Box, or Use 3/4" NPS Downrod for Pendant Mounting. CSA Listed for Damp Location Mounting.
PC1	120VAC, Photocell
PC2	240-277VAC, Photocell
BB	Battery Backup, Provides 90 Minutes of Backup Power.