

|                            |                     |
|----------------------------|---------------------|
| <b>Project Information</b> |                     |
| Project Name: _____        | Fixture Type: _____ |
| Complete Catalog #: _____  | Date: _____         |
| Comments: _____            |                     |



The EnviroLux 60 Watt LED Parking Garage fixture is designed to replace HID lighting systems from 70w to 200w. Typical area lighting applications include parking garages, canopy areas, shopping malls, terminals, public buildings convenience stores, and retail centers. Mounting heights of up to 18 feet can be used based on light level and uniformity requirements.

**SPECIFICATIONS AND FEATURES:**

**HOUSING:**  
Die Cast Aluminum Housing, 1/2" Coin Plugs with O-rings for Conduit & Photocell on Sides & Back.

**FINISH:**  
Textured Architectural Powdercoat Finish Over a Chromate Conversion Coating.

**LENS:**  
Standard Clear Polycarbonate Prismatic Lens

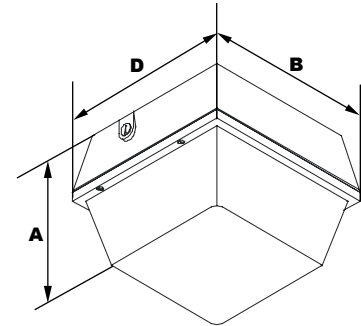
**MOUNTING OPTIONS:**  
Built-in Template for Mounting to an Electrical Box, or Use 1/2" Surface Conduit, Downrod, or Quick-Mount Bracket.

**EnviroLux LED Engine:**  
201 LPW, > 80CRI, Silicone Coated Aluminum Core Boards - Water and Humidity Proof

**WATTAGE:**  
60W=Array: 60 System Watts: **Lumens:10,854**  
(250-400W HID or Induction Equivalent.)

**DRIVER:**  
Programmable Driver, 120-277V, 50/60Hz; Dimmable Driver.

**Listing and RATINGS:**  
CSA Listed. Operating in Ambient Temperatures: -40°C to + 50°C IP67 Sealed LED Compartment.



**Dimensions**

|                   |                 |
|-------------------|-----------------|
| <b>Width (D)</b>  | 12 3/8" (314mm) |
| <b>Length (B)</b> | 12 3/8" (314mm) |
| <b>Height (A)</b> | 8 5/8" (219mm)  |

Complete Units Ordering  
Information Example:  
EESVN43-LED-PS-  
UNV-60W-XXXX

**EnviroLux 60 Watt 12x12 LED Parking Garage Fixture**



Scan to watch our Made in USA video

| Model | Part Suffix | Driver      | Wattage | CCT                                       | Lens   | Mounting                      | Options |
|-------|-------------|-------------|---------|---|--|-------------------------------|---------|
| EES   | VN43-LED-PS | UNV=120-277 | 60W     | 2700K<br>3000K<br>3500K<br>4000K<br>5000K | GL=Standard Clear Polycarbonate Prismatic Lens | QM=Hinged Quick Mount Bracket |         |



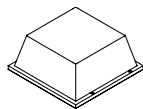
EnviroLux Unifi Mesh Passport can operate up to 500 fixtures on a wireless network from anywhere in the world.

- SF**=Single Fuse
- PC1-PC2**=120-277 Button Photo Cell
- M1**=Motion Sensor, IR for mounting heights of 20ft to 35ft
- M2**=Motion Sensor, IR for mounting heights of 18ft or less
- BB**=Battery Backup
- PC**=Photo Cell
- UNIFI**=Unifi Wireless



# EnviroLux LED Parking Garage Fixture

## ADDITIONAL MOUNTING OPTIONS



**CPL4**



**QM**



**BB**



**Button Photocell  
(PC1, PC2)**

### Replacement Parts (Order separately, Field installed)

|      |   |
|------|---|
| CPL4 | Clear Prismatic Polycarbonate Lens with Four (4) Screw Holes  |
| QM   | Hinged Quick-Mount Bracket, Stamped Steel, Mount Over Recessed Electrical Box, or Use 3/4" NPS Downrod for Pendant Mounting. CSA Listed for Damp Location Mounting. |
| PC1  | 120VAC, Photocell   |
| PC2  | 240-277VAC, Photocell   |
| BB   | Battery Backup, Provides 90 Minutes of Backup Power.  |