

<b>Project Information</b>	
Project Name:	Fixture Type:
Complete Catalog #:	Date:
Comments:	



The EnviroLux 70 Watt LED Large Semi Full Cutoff Wall Pack luminaire is available with a choice of optical distributions designed to replace HID lighting systems up to 400 MH or HPS. Typical wall mounted lighting applications include retail centers, industrial parks, schools and universities, public transit and airports, office buildings and medical facilities. Mounting heights of 15 to 24 feet can be used based on light level and uniformity requirements.

**SPECIFICATIONS AND FEATURES:**

**EnviroLux LED Engine:**  
195LPW, 83CRI, Silicone Coated Aluminum Core Boards - Water and Humidity Proof

**HOUSING:**  
Die Cast Hinged and Gasketed Aluminum Front Frame and Housing with 1/2" Coin Plugs. Nickel-Plated Stainless Steel Hardware. Photocell Adaptable.

**WATTAGE:**  
70W=Array: 70 System Watts: **Lumens - 12,967** (400W HID or Induction Equivalent.)

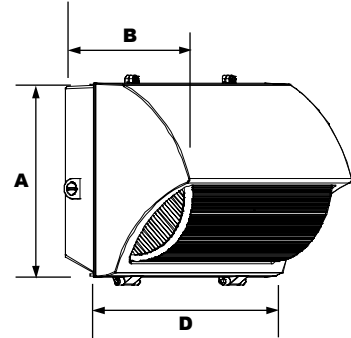
**FINISH:**  
Textured Architectural Bronze Powdercoat Finish Over a Chromate Conversion Coating. Custom Colors Available Upon Request.

**DRIVER:**  
Programmable Driver, 120-277V, 50/60Hz; Dimmable Driver.

**LENS:**  
Borosilicate Glass Lens.

**Listing RATINGS:**  
CSA Listed. Operating in Ambient Temperatures: -40°C to + 50°C IP67 Sealed LED Compartment.

**MOUNTING OPTIONS:**  
Cast-in Template for Mounting Directly Over a 4" Recessed Outlet Box, or Use 1/2" Surface Conduit.



**Dimensions**

- Width (D)** | 16 1/2" (419mm)
- Length (B)** | 10 1/2" (267mm)
- Height (A)** | 13" (330mm)

**EnviroLux LED 70 Watt Semi Full Cutoff Wallpack**



Scan to watch our Made in USA video

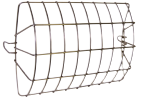
Model	Part Suffix	Driver	Wattage	CCT	Lens	Mounting	Options
EES	WH15-LED-PS	UNV=120-277V	70w	2700K 3000K 3500K 4000K 5000K	Borosilicate Glass Lens	4" Recessed Outlet Box 1/2" Surface Conduit.	<p><b>SF</b>=Single Fuse  <b>DF</b>=Double Fuse  <b>PC</b>=Photo Cell 120-277  <b>SP</b>=Surge Protection 6kv standard, 10kv optional  <b>M1</b>=Motion Sensor, IR for mounting heights of 20ft to 35ft  <b>M2</b>=Motion Sensor, IR for mounting heights of 18ft or less  <b>WG</b>=Wire Guard  <b>EMB</b>=Emergency Battery Backup  <b>UNIFI</b>=Unifi Wireless  <b>480V</b>=480 Volt</p>



EnviroLux Unifi Mesh Passport can operate up to 500 fixtures on a wireless network from anywhere in the world.



# ***EnviroLux Large Semi Full Cutoff Wallpack Options***



**WG**



**PC**



**EMB**