

Project Information	
Project Name:	Fixture Type:
Complete Catalog #:	Date:
Comments:	

The EnviroLux 52 Watt LED Large Wall Pack luminaire is available with a choice of optical distributions designed to replace HID lighting systems 250w to 400 MH or HPS. Typical wall mounted lighting applications include retail centers, industrial parks, schools and universities, public transit and airports, office buildings and medical facilities. Mounting heights of 18 to 30 feet can be used based on light level and uniformity requirements.

SPECIFICATIONS AND FEATURES:

EnviroLux LED Engine:
201LPW, 83CRI, Silicone Coated Aluminum Core Boards - Water and Humidity Proof

HOUSING:
Die Cast Hinged and Gasketed Aluminum Front Frame and Housing with 1/2" Coin Plugs. Nickel-Plated Stainless Steel Hardware. Photocell Adaptable.

WATTAGE:
52W=Array: 52 System Watts: **Lumens - 9,406** (250-400W HID or Induction Equivalent.)

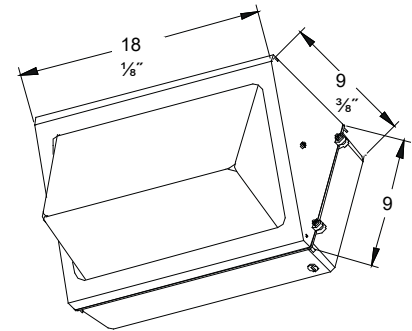
FINISH:
Textured Architectural Bronze Powdercoat Finish Over a Chromate Conversion Coating. Custom Colors Available Upon Request.

DRIVER:
Programmable Driver, 120-277V, 50/60Hz; Dimmable Driver.

LENS:
Borosilicate Glass Lens.

RATINGS: CSA Listed. Operating in Ambient Temperatures: -40°C to + 50°C IP67 Sealed LED Compartment.

MOUNTING OPTIONS:
Cast-in Template for Mounting Directly Over a 4" Recessed Outlet Box, or Use 1/2" Surface Conduit.



EnviroLux LED 52 Watt Large Wallpack



Scan to watch our Made in USA video

Model	Part Suffix	Driver	Wattage	CCT	Lens	Mounting	Options
EES	WP20LED-PS	UNV=120-277	52W	2700K 3000K 3500K 4000K 5000K	Borosilicate Glass Lens	4" Recessed Outlet Box 1/2" Surface Conduit.	<p>LWPWG=Wire Guard LWPFC=Full Cutoff LWPSCS=Side Cutoff LWPVS=Vandal Shield M1=Motion Sensor, IR for mounting heights of 20ft to 35ft M2=Motion Sensor, IR for mounting heights of 18ft or less EMB=Battery Backup PC=Photo Cell 120-277 Unifi=EnviroLux Wireless 480V=480 Volt</p>



EnviroLux Unifi Mesh Passport can operate up to 500 fixtures on a wireless network from anywhere in the world.



EnviroLux Large Wallpack Options



***Wireguard
(LWPWG)***



***Full Cutoff
(LWPFC)***



***Side Cutoff
(LWPSCS)***



***Vandal Shield
(LWPVS)***



***PC-Button
Photocell
(120-277)***



Battery Backup