

Project Information	
Project Name:	Fixture Type:
Complete Catalog #:	Date:
Comments:	

The EnviroLux 30 Watt LED Mini Bulkhead Wall Pack luminaire is designed to replace HID lighting systems between 100w to 175w MH or HPS. Typical wall mounted lighting applications include retail centers, industrial parks, schools and universities, public transit and airports, office buildings and medical facilities. Mounting heights of 10 to 24 feet can be used based on light level and uniformity requirements.

SPECIFICATIONS AND FEATURES:

HOUSING:

Die Cast Hinged and Gasketed Aluminum Door Frame and Housing with 1/2" Coin Plugs. Nickel-Plated Stainless Steel Hardware. Photocell Adaptable.

FINISH:

Textured Architectural Bronze Powdercoat Finish Over a Chromate Conversion Coating. Custom Colors Available Upon Request.

LENS:

Bottom: Tempered Clear Flat Glass Lens,
Top: Optional Oval Molded Tempered Clear Glass Lens.

MOUNTING OPTIONS:

Mount Directly Over a 4" Recessed Outlet Box, Includes Easy-Hang "Two Hands Free" Wall Mounting Bracket with Built-In Level

EnviroLux LED Engine:

201LPW, 83CRI, Silicone Coated Aluminum Core Boards - Water and Humidity Proof

WATTAGE:

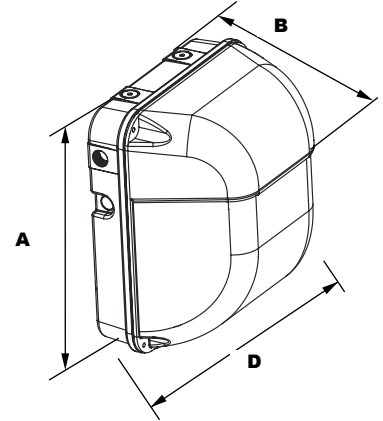
30W=Array: 30 System Watts: **Lumens-5,427**
(100-175W HID or Induction Equivalent.)

DRIVER:

Programmable Driver, 120-277V, 50/60Hz; Dimmable Driver.

Listing and RATINGS:

CSA Listed. Operating in Ambient Temperatures: -40°C to + 50°C
IP67 Sealed LED Compartment.



Dimensions

- Width (D)** | 10 3/8" (267mm)
- Length (B)** | 9 5/8" (184mm)
- Height (A)** | 12 1/4" (299mm)

EnviroLux 30 Watt LED Mini Bulkhead Wallpack Fixture

Ordering Information Example:
EESWH15-MBH-30W-50K-UNV-PCA

Scan to watch our Made in USA video



Model	Part Suffix	Wattage	CCT	Driver	Lens	Mounting	Options
EES	WH15	MBH30W	30K=3000K 35K=3500K 40K=4000K 50K=5000K	UNV=120-277			

PCA=Polycarbonate

4" Recessed Outlet Box Easy Hang Mounting Bracket

SF=Single Fuse
DF=Double Fuse
PC=Button Photo Cell 120-277
SP=Surge Protection 6kv standard, 10kv optional
M1=Motion Sensor, IR for mounting heights of 20ft to 35ft
M2=Motion Sensor, IR for mounting heights of 18ft or less
EMB=Emergency Battery Backup
UNIFI=Unifi Wireless



EnviroLux Unifi Mesh Passport can operate up to 500 fixtures on a wireless network from anywhere in the world.



EnviroLux Wallpack Options



Battery Backup



***Button Photocell
(PC1, PC2)***