

Project Information	
Project Name:	Fixture Type:
Complete Catalog #:	Date:
Comments:	



The EnviroLux 110 Watt Roundback Flood - Wall Sconce Fixture is available with a wide choice of mounting configurations designed to replace HID lighting systems from 150w to 400w. Typical area lighting applications include retail centers, industrial parks, airports, and office buildings, close to beaches where Amber environmental lighting codes apply. Mounting heights of 14 to 25 feet can be used based on light level and uniformity requirements.

SPECIFICATIONS AND FEATURES:

EnviroLux LED Engine:

192 LPW, 83CRI, Silicone Coated Aluminum Core Boards - Water and Humidity Proof

HOUSING:

Die-Cast Aluminum Housing & Hinged Gasketed Lens Frame. Nickel-Plated Stainless Steel Hardware.

WATTAGE:

110W=Array: 110 System Watts: **Lumens:20,064** (150-400W HID or Induction Equivalent.)

FINISH:

Textured Architectural Bronze Powdercoat Finish Over a Chromate Conversion Coating. Custom Colors Available Upon Request.

DRIVER:

Programmable Driver, 120-277V, 50/60Hz; Dimmable Driver.

Listing and RATINGS:

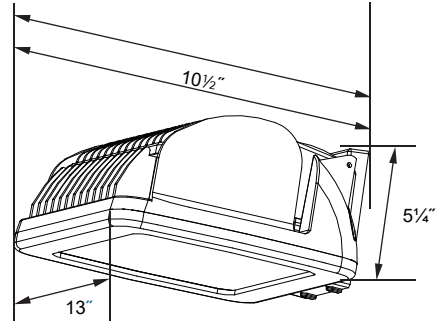
CSA Listed. Operating in Ambient Temperatures: -40°C to + 50°C
IP67 Sealed LED Compartment.

LENS:

Tempered Clear Flat Glass Lens or Tempered Clear Flat Prismatic Glass Lens.

MOUNTING OPTIONS:

Adjustable Knuckle with Angle Indicators & 1/2" NPS Threads or Optional Adjustable Slipfitter with Angle Indicators.




EnviroLux 110 Watt Round Back Flood - Wall Sconce



Scan to watch our Made in USA video

Model	Part Suffix	Driver	Wattage	CCT	Lens	Mounting	Options
EES	AD25Q-LED-PS	UNV=120-277V	110	2700K 3000K 3500K 4000K 5000K	CL=Clear		



EnviroLux Unifi Mesh Passport can operate up to 500 fixtures on a wireless network from anywhere in the world.

Swivel Bracket= SB
Slipfitter=SF
PTFZ=Post Top
RBFKZ=Adjustable Knuckle
RBFVS=Vandal Shield
STK=Heavy Duty Ground Stake

SF=Single Fuse
DF=Double Fuse
SP=Surge Protection
M1=Motion Sensor, IR for mounting heights of 20ft to 35ft
M2=Motion Sensor, IR for mounting heights of 18ft or less
Photocell: See accessory page for options
In-Line Fuse: F
AD25WG=Wire Guard
AD25WG=Glare Shield
480V=480 Volt
Unifi=Unifi Wireless



EnviroLux Round Back Flood - Wall Sconce

PHOTOCELLS:

P18130 - 480VAC Twist Lock Photocell Receptacle

P18130R7 - 7-Pin Twist Lock Photocell Receptacle ANSI C136.41-2013 with Integrated Controls for LED, 480 VAC

P18131 - Twist Lock Non Shorting (Open) Cap disconnects service to fixture for temporary or permanent disabling (fixture always off). IP65, 480V maximum.

P18132 - Twist Lock Shorting Cap provides fixed service to fixture (fixture always on). IP65, rated load 7200w Tungsten.

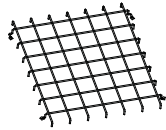
P18140 - 110-120VAC Instant Twist Lock

P18142 - 110-277VAC Instant Twist Lock

P18150 - 120VAC Time Delay Twist Lock

P18152 - 277VAC Time Delay Twist Lock

◇ *Twist-Lock photocell option not available with AD25WBZ mounting*



Wire Guard (AD25WG)



House Side Shield (AD25GSZ)



Slipfitter (SSFZ - Shown Mounted)



Swivel Bracket (SSBZ - Shown Mounted)



Pole Mounting Arm Adaptor (ALMAAZ - Shown Mounted)



Side Pole Mounting Arm (KH25AZ - Shown Mounted)



Round Pole Adaptor (KH20RPZ)



Wall Mount Adaptor (KH20WMZ)



Wall Box ◇ (AD25WBZ - Shown Mounted)



Easy Hang Bracket (KHEHZ - Shown Mounted)



P18130



P18130R7



P18131



P18132



P18140



P18142



P18150



P18152