

Project Information	
Project Name:	Fixture Type:
Complete Catalog #:	Date:
Comments:	



The EnviroLux 25 Watt LED Sphere Wall Pack luminaire is designed to replace HID lighting systems between 100w to 250w MH or HPS. Typical wall mounted lighting applications include retail centers, industrial parks, schools and universities, public transit and airports, office buildings and medical facilities. Mounting heights of 10 to 24 feet can be used based on light level and uniformity requirements.

SPECIFICATIONS AND FEATURES:

HOUSING:

Die Cast Hinged and Gasketed Aluminum Door Frame and Housing with 1/2" Coin Plugs. Nickel-Plated Stainless Steel Hardware. Photocell Adaptable.

FINISH:

Textured Architectural Bronze Powdercoat Finish Over a Chromate Conversion Coating. Custom Colors Available Upon Request.

LENS:

Bottom: Tempered Clear Flat Glass Lens,
Top: Optional Oval Molded Tempered Clear Glass Lens.

MOUNTING OPTIONS:

Mount Directly Over a 4" Recessed Outlet Box, Includes Easy-Hang "Two Hands Free" Wall Mounting Bracket with Built-In Level

EnviroLux LED Engine:

201LPW, 83CRI, Silicone Coated Aluminum Core Boards - Water and Humidity Proof

WATTAGE:

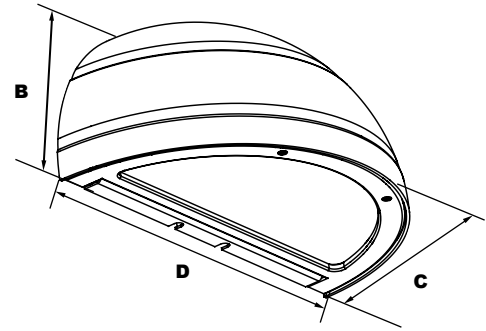
47W=Array: 47 System Watts: **Lumens: 8,974**
(100-250W HID or Induction Equivalent.)

DRIVER:

Programmable Driver, 120-277V, 50/60Hz; Dimmable Driver.

Listing and RATINGS:

CSA Listed. Operating in Ambient Temperatures:
-40°C to + 50°C IP67 Sealed LED Compartment.



Dimensions

Width (D)	18 1/8" (460mm)
Length (B)	9 1/16" (229mm)
Height (A)	9 3/16" (233mm)

Model Number:
EESWPC36QC1X47U5KC

EnviroLux 47 Watt LED Sphere



Scan to watch our Made in USA video

EES

Model	Part Suffix	Wattage	Driver	CCT	Lens	Mounting	Options
EES	WPC36QC	1x47	U	3K=3000K (Optional) 4K=4000K (Optional) 5K=5000K (Standard)			
				C=Clear			
						4" Recessed Outlet Box Easy Hang Mounting Bracket	
							SF =Single Fuse DF =Double Fuse PC =Button Photo Cell 120-277 SP =Surge Protection 6kv standard, 10kv optional M1 =Motion Sensor, IR for mounting heights of 20ft to 35ft M2 =Motion Sensor, IR for mounting heights of 18ft or less WG =Wire Guard LVG =Lexan Vandal Guard EMB =Emergency Battery Backup UNIFI =Unifi Wireless



EnviroLux Unifi Mesh Passport can operate up to 500 fixtures on a wireless network from anywhere in the world.



EnviroLux Sphere Wallpack Options



Battery Backup



***Button Photocell
(PC1, PC2)***